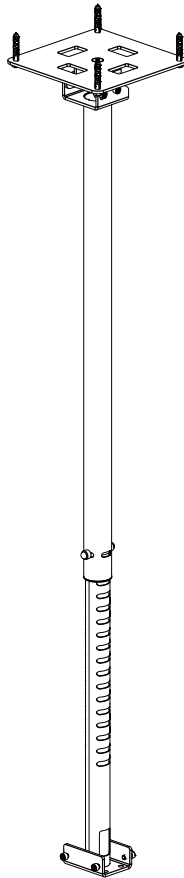


# Installation Guide

**SPDS4310**

**Extension pole for In-window ceiling mount  
for OM55N-DS / OM55N-D**





## CAUTION

This product must be installed by a professional installer. It is recommended that more than one person is involved in the installation of this product.

This product is designed to be ceiling mounted. Before installing please verify that the ceiling can bear the combined weight of the solution and hardware.

Do not exceed the stated weight limits.

The maximum weight limit for this product is 150 kg per ceiling pole.

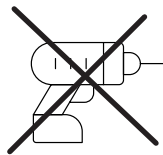
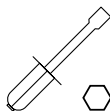
It is the responsibility of the installer to use the correct fixings for the specific installation location. Standard fixings for wooden material and fixings for concrete material are supplied as part of the product, but they will not be suitable for all types of ceilings.

This product is intended for indoor use only.

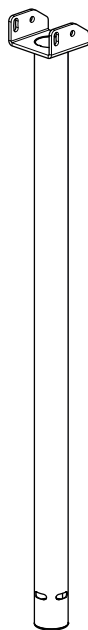
If these installation instructions are not followed precisely, it could lead to product failure and potential personal injury.

Ergonomic Solutions cannot be held responsible for any failure or injury, if the installation instructions are not followed correctly.

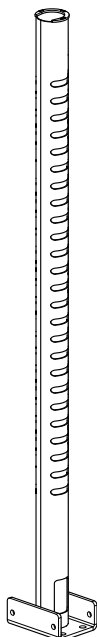
## Tool list



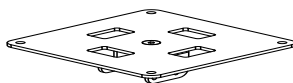
## Box content



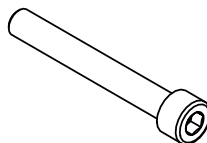
x1



x1



x1



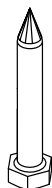
1x (M8x60)



2x (M8 cap)



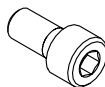
1x (M8 nut)



4x (M8x60)



4x (M10x50 plug)

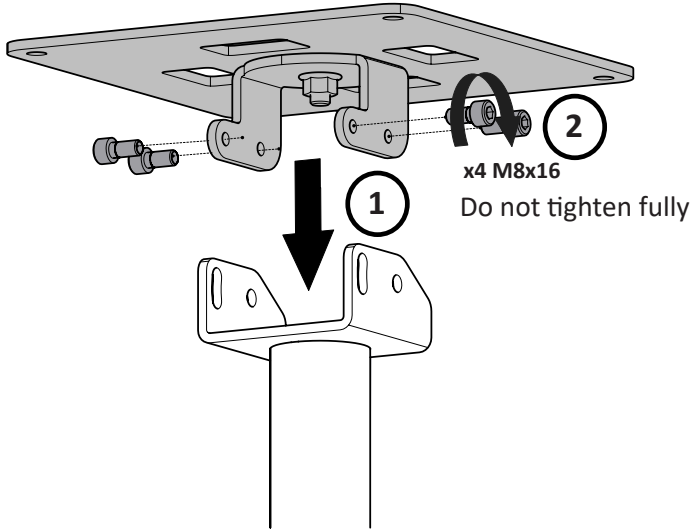


8x (M8x16)

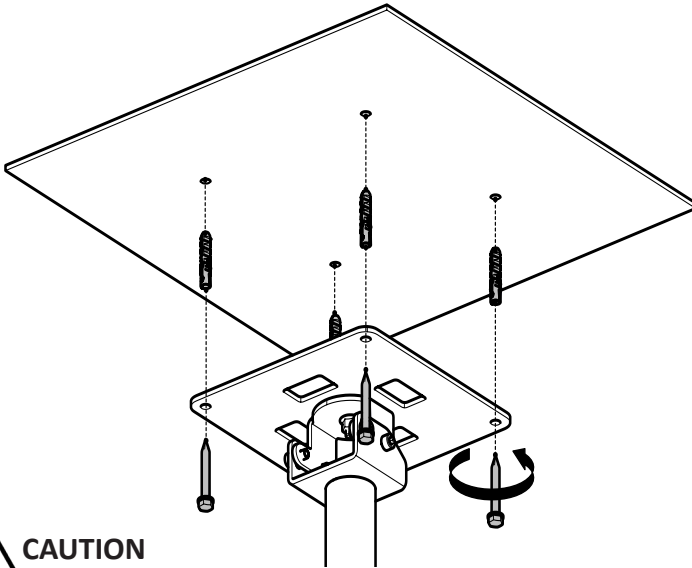


4x (M8 washer)

**1** Assemble ceiling mount and pole



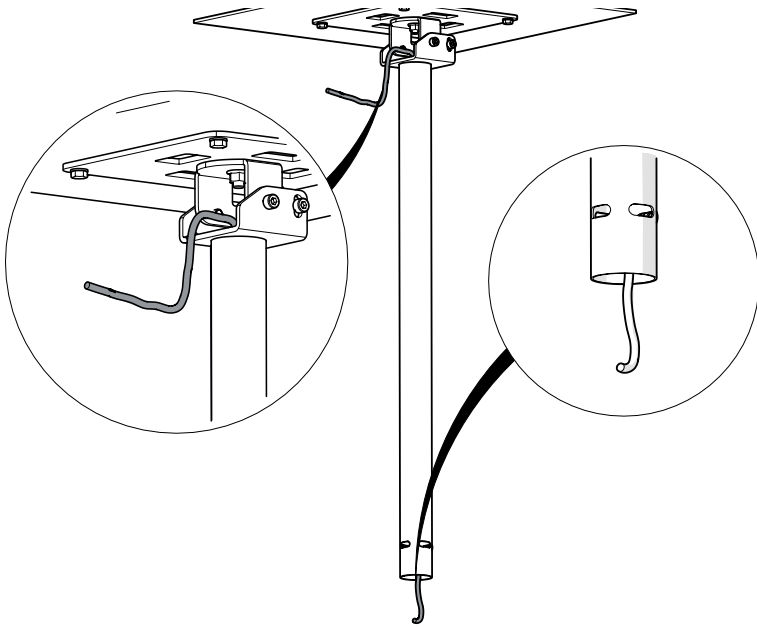
**2** Ceiling mount



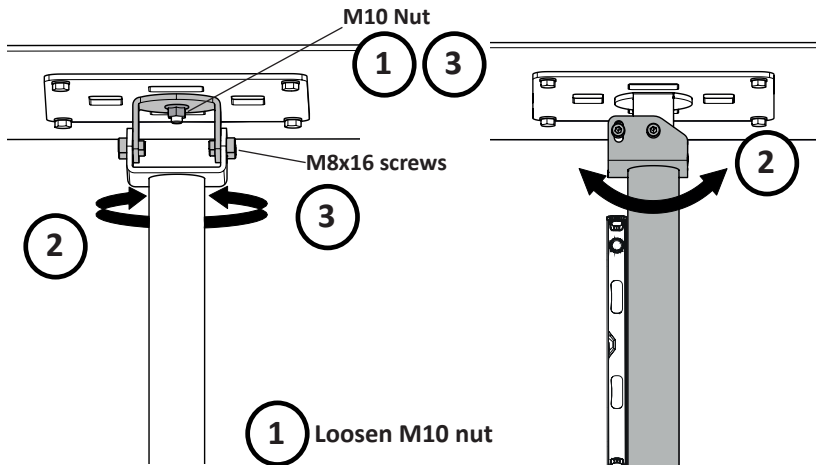
**CAUTION**

It is the responsibility of the installer to use the appropriate fixings for the specific installation location.

**3** Route cables



**4** Fine adjustment for sloping ceiling

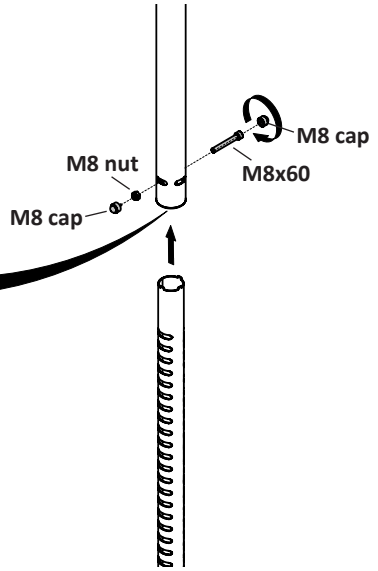
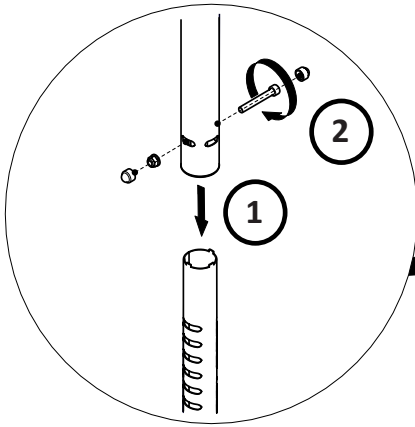


**1** Loosen M10 nut

**2** Rotate and tilt pole bracket until vertical position can be achieved

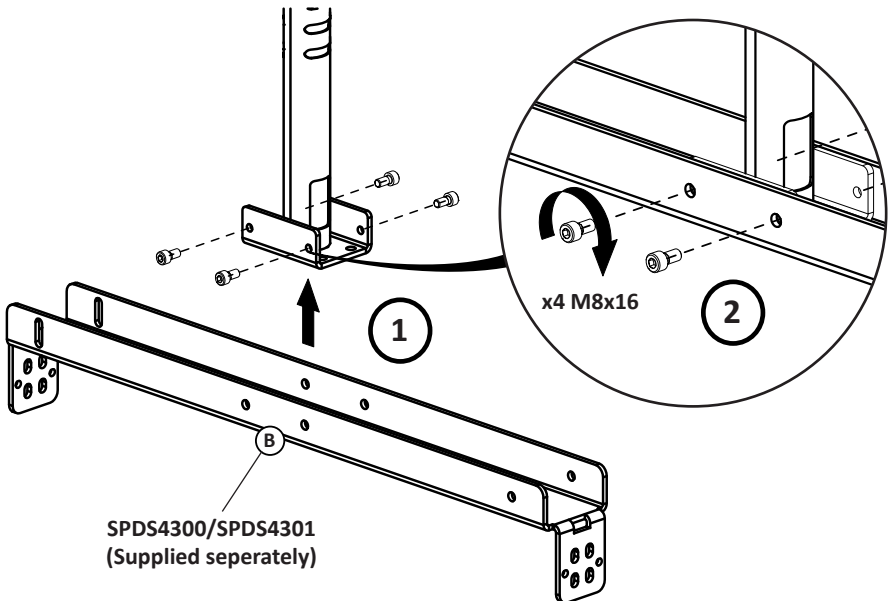
**3** Tighten M10 nut and M8x16 screws

## 5 Pole assembly



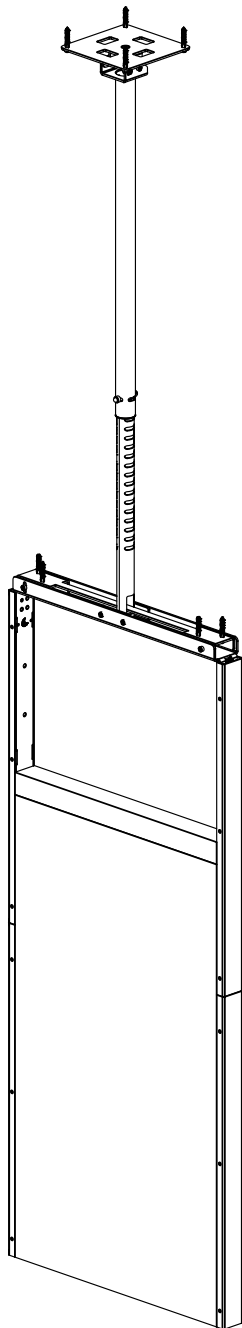
Turn the lower pole to the desired direction and select the appropriate slot for the desired height

## 6 Install Ceiling bracket B from SPDS4300/SPDS4301



7

Continue with guide MK15-0416 step 3



Need help? Contact us



[ergonomic.solutions/about/contact-us](http://ergonomic.solutions/about/contact-us)

[spacepole.com/about/contact-us](http://spacepole.com/about/contact-us)